



Special Features

- Elegantly designed to suit different needs.
- Available in variety of models.
- It is ideal if you have different items to display from time to time.
- Specially designed to impart maximum strength.
- Can be moved horizontally to desired position at any time.
- Horizontal track which support the shelves are guided in the slot & screwed on to the wall, so that they blend well with the decor.
- Available for glass, wood shelves & hanger systems.
- Adapter bracket is designed for multi-purpose use.



Specifications

Item	Code Nos.	Size mm	Load Capacity (Kgs.)	Finish
Track for Shelves	DSSH-HC	2.44 mtrs.	-	AT
Wood Shelf Bracket	DSSH-WS150	150	6 each	AT
Glass Shelf Bracket	DSSH-GS150	150	6 each	AT
Rod Hanger	DSSH-RH100	100	3 each	AT
	DSSH-RH150	150	3 each	AT
	DSSH-RH250	250	3 each	AT
Adapter Bracket	DSSH-SB70	70	7 each	AT

Fitting Instructions

1. Fit two wooden frames or strips by maintaining 19mm gap. Insert the track in to the gaps & screw it on to the wall as shown in Fig. 1. (13mm thickness for wood, glass shelves & rod hanger and 5mm thickness for adapter bracket).
2. Tilt & engage the brackets in to the tracks as shown in Fig. 2.

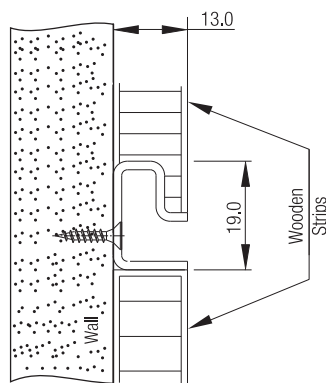
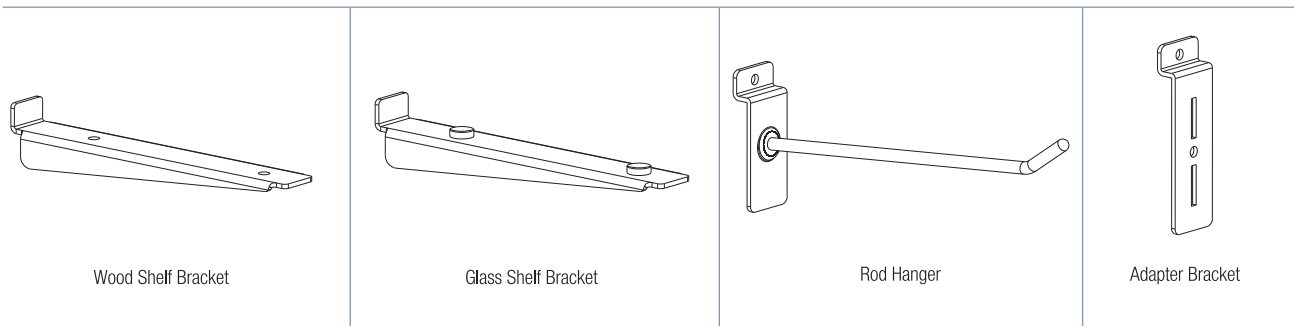


Fig. 1

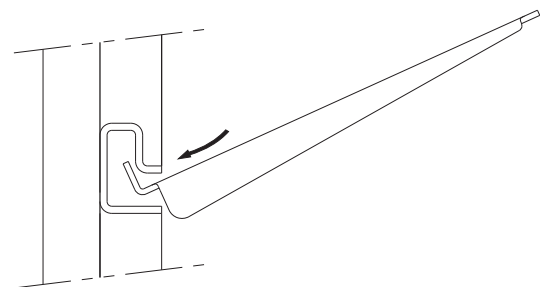


Fig. 2