



Special Features

- Elegantly designed to suit different needs.
- Available in a variety of models and sizes.
- It is ideal for changing and displaying different items from time to time.
- Specially designed to impart maximum strength and to eliminate play.
- A unique stabilizer screw and nut holds the shelf in place.
- Available with Steel Track for heavy loads.
- The tracks which support the shelves are screwed on to the wall, so that they blend well with the decor.
- Available for glass, wood shelves and hanger systems.
- Track, Wood Shelf Bracket, Glass Shelf Bracket, Hanger Holder Brackets, Hanger Rack, Rod Bracket and Glass Shelf Support with Screw & Nut are also available in SS304.



Fitting Instructions

1. Screw the track on the wall as shown in diagram (Refer Fig. 1).
2. Hook the brackets and holders in to the slots provided on the track as given in diagram (Refer Fig. 2).
3. Refer the diagram for assembly of stabilizer nut (Refer Fig. 3).

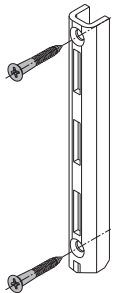
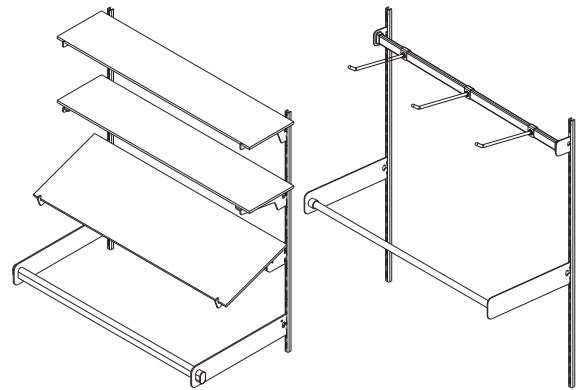
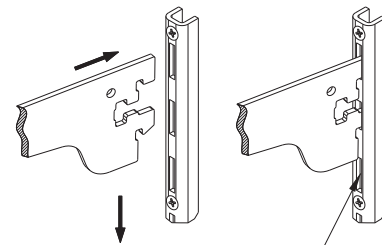
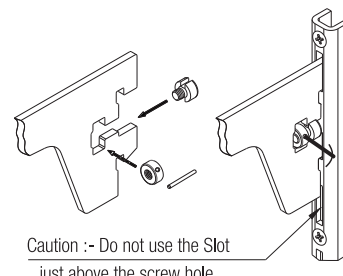


Fig. 1



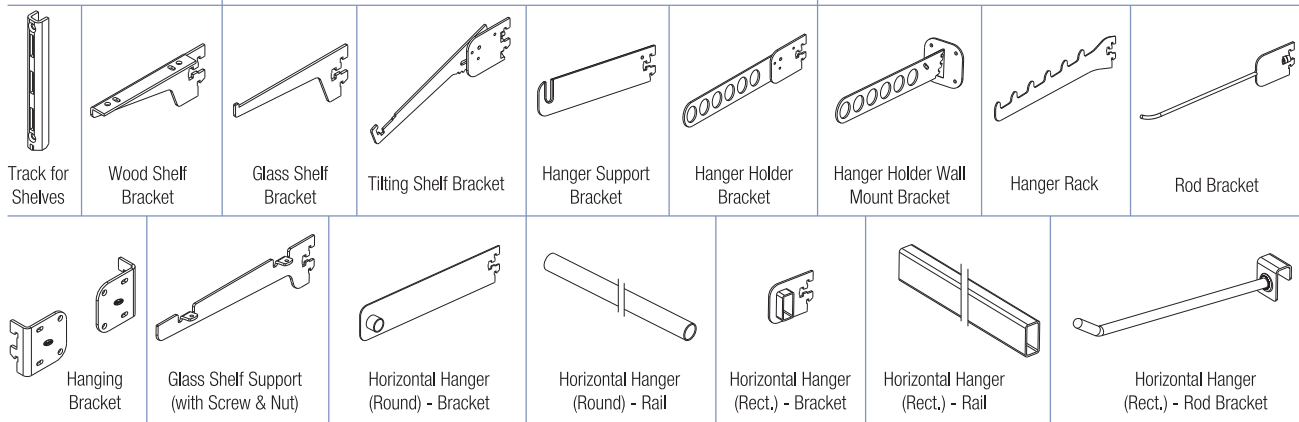
Caution :- Do not use the Slot just above the screw hole

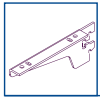
Fig. 2



Caution :- Do not use the Slot just above the screw hole

Fig. 3





DISPLAY SHELVING SYSTEM - VERTICAL



Specifications

Item	Code Nos.	Size mm	Load Capacity (Kgs.)	Finish	Item	Code Nos.	Size mm	Load Capacity (Kgs.)	Finish	
Track for Shelves	DSS-TS-MS	2 mtrs	-	AT	Tilting Shelf Bracket with nut & screw	DSS-TS81	200	10 each	AT	
	DSS-TS-SS	2 mtrs	-	BS		DSS-TS82	200	10 each	CP	
Wood Shelf Bracket with Screw & Nut	DSS-WS61	150	15 each	AT		DSS-TS161	400	10 each	AT	
	DSS-WS62	150	15 each	CP		DSS-TS162	400	10 each	CP	
	DSS-WS91	225	15 each	AT	Hanger Support with Screw & Nut	DSS-HS41	100	15 each	AT	
	DSS-WS92	225	15 each	CP		DSS-HS42	100	15 each	CP	
	DSS-WS121	300	15 each	AT		DSS-HS81	200	15 each	AT	
	DSS-WS122	300	15 each	CP		DSS-HS82	200	15 each	CP	
	DSS-WS151	375	15 each	AT		DSS-HS121	300	15 each	AT	
	DSS-WS152	375	15 each	CP		DSS-HS122	300	15 each	CP	
	Glass Shelf Bracket with Screw & Nut	DSS-WS12-SS	300	15 each	BS	End Cap for SS Oval Rail	EC-WRFRS	-	-	SL
		DSS-WS15-SS	375	15 each	BS		Hanger Holder Bracket	DSS-HH61	6 Holes	15 each
DSS-GS61		150	10 each	AT	DSS-HH62	6 Holes		15 each	CP	
DSS-GS62		150	10 each	CP	DSS-HH101	10 Holes		15 each	AT	
DSS-GS91		225	10 each	AT	DSS-HH102	10 Holes		15 each	CP	
DSS-GS92		225	10 each	CP	DSS-HH6-SS	6 Holes		15 each	BS	
DSS-GS121		300	10 each	AT	DSS-HH10-SS	10 Holes		15 each	BS	
DSS-GS122		300	10 each	CP	Hanger Holder Wall Mount	DSS-HH61W		6 Holes	15 each	AT
DSS-GS151		375	10 each	AT		DSS-HH62W	6 Holes	15 each	CP	
DSS-GS152		375	10 each	CP		DSS-HH101W	10 Holes	15 each	AT	
DSS-GS12-SS	300	10 each	BS	DSS-HH102W		10 Holes	15 each	CP		
DSS-GS15-SS	375	10 each	BS	DSS-HH6W-SS		6 Holes	15 each	BS		
DSS-HH10W-SS	10 Holes	15 each	BS	Rod Bracket		DSS-RB12-MS	300	4 each	AT	
Stabiliser Screw & Nut	DSS-SN1	-	ZW		DSS-RB12-SS	300	4 each	BS		
Hanger Rack	DSS-HR6-MS	6 Racks	15 each	AT	Horizontal Hanger (Rect.)-Bracket	DSS-RHB1	75	50 / pair	AT	
	DSS-HR6-SS	6 Racks	15 each	BS		Horizontal Hanger (Rect.) - Rail	DSS-RHRS1	1.2 mtr	50 / pair	AT
Display Shelving - Glass Shelf Support (with screw and nut)	DSS-GSST81	200	20 / pair	AT	Horizontal Hanger (Round) - Bracket		DSS-HHB1	300	15 Set	AT
	DSS-GSST82	200	20 / pair	Plated		Horizontal Hanger (Round) - Rail	DSS-HHP1	1.0 mtr	15 each	AT
	DSS-GSST121	300	20 / pair	AT	Horizontal Hanger (Rect.)-Rod Bracket		DSS-RHHB1	250	7 each	AT
	DSS-GSST122	300	20 / pair	Plated		Hanging Bracket	DSS-HB	-	80 / pair	AT
	DSS-GSST8-SS	200	20 / pair	SS 304						
	DSS-GSST12-SS	300	20 / pair	SS 304						