



Special Features

- Easy to open.
- Progressive Piston version allows the shutters to stay in the desired position at different angles.
- Ideal for Overhead Cabinets.
- Safety in use.
- Easy to fit.
- Long life.
- Finish : Silver.



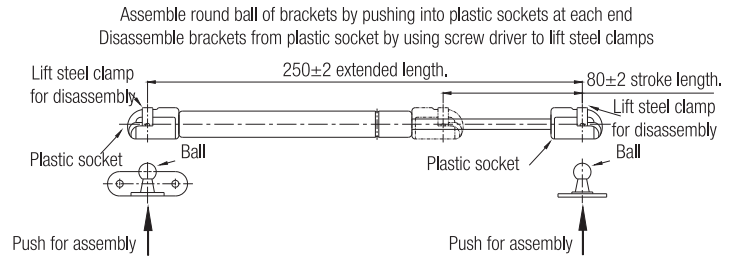
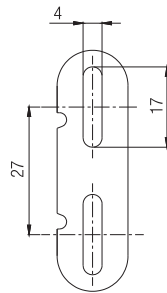
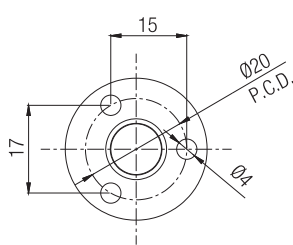
Specifications

Pro-Lift

Code Nos.	Force
PLC 06	60 N
PLC 08	80 N
PLC 10	100 N
PLC 12	120 N
PLC 15	150 N
PLC 20	200 N
PLC 25	250 N

Pro-Lift Progressive

Code Nos.	Force
PLP 06	60 N
PLP 08	80 N
PLP 10	100 N
PLP 12	120 N
PLP 15	150 N
PLP 20	200 N
PLP 25	250 N



For overlay shutters

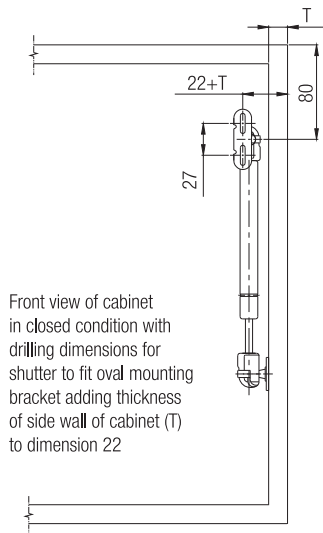


Fig. 1

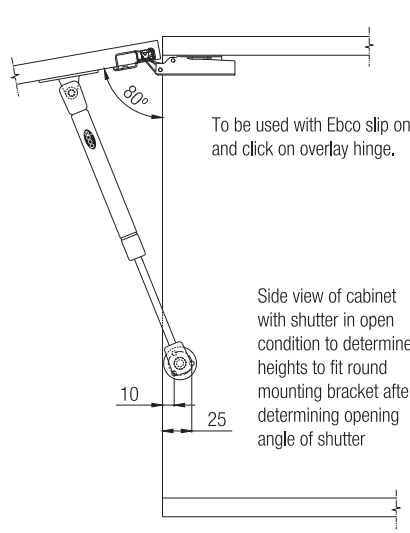


Fig. 2

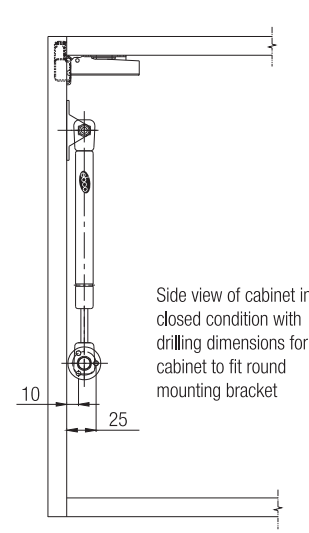


Fig. 3



For inset shutters

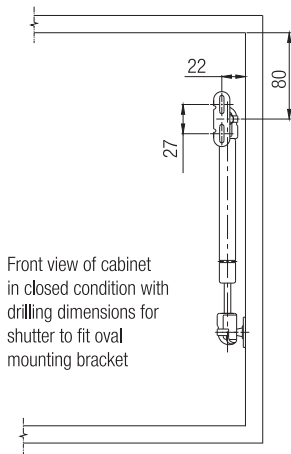


Fig. 1

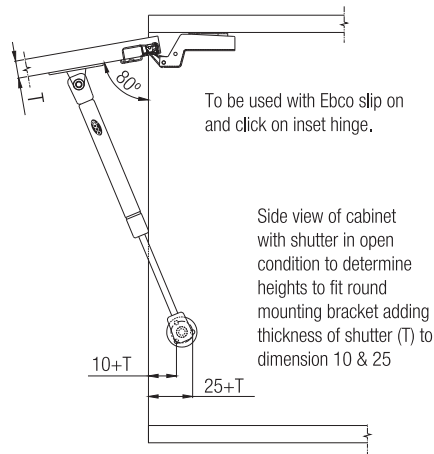


Fig. 2

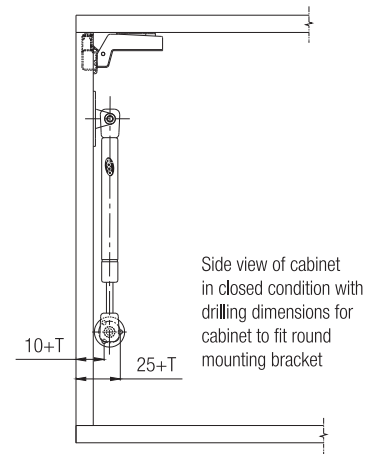
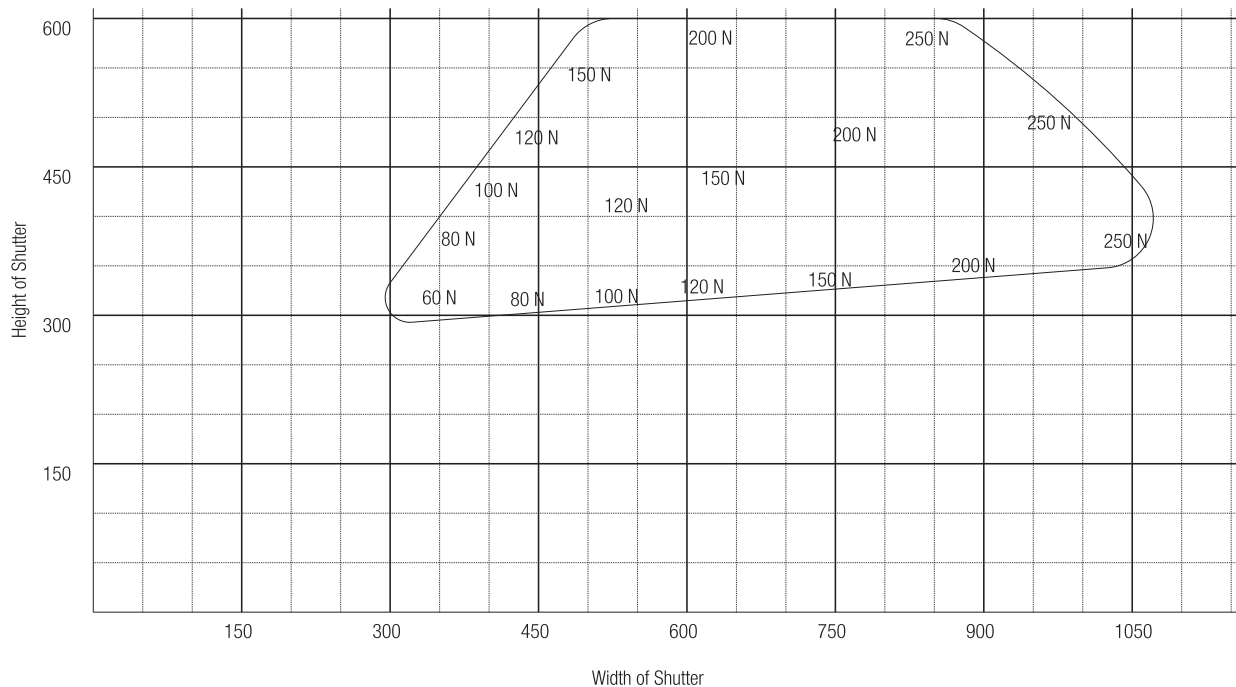


Fig. 3



Recommended Size of Shutter for two gas pumps

Note :- Graph Shown is for 18mm thick MDF Shutters, Sizes may vary depending on the Thickness & Type of Shutters



Caution

- High pressure.
- Do not dismantle or damage.
- Do not expose to heat or fire.