



## Special Features

- Full extension.
- Push-rebound function built in slide, easy for installation.
- Non-handed Disconnect Release.
- 45 kgs / 100 lbs. loading at 18".
- Rebound 2" - 5" when drawer is pushed.

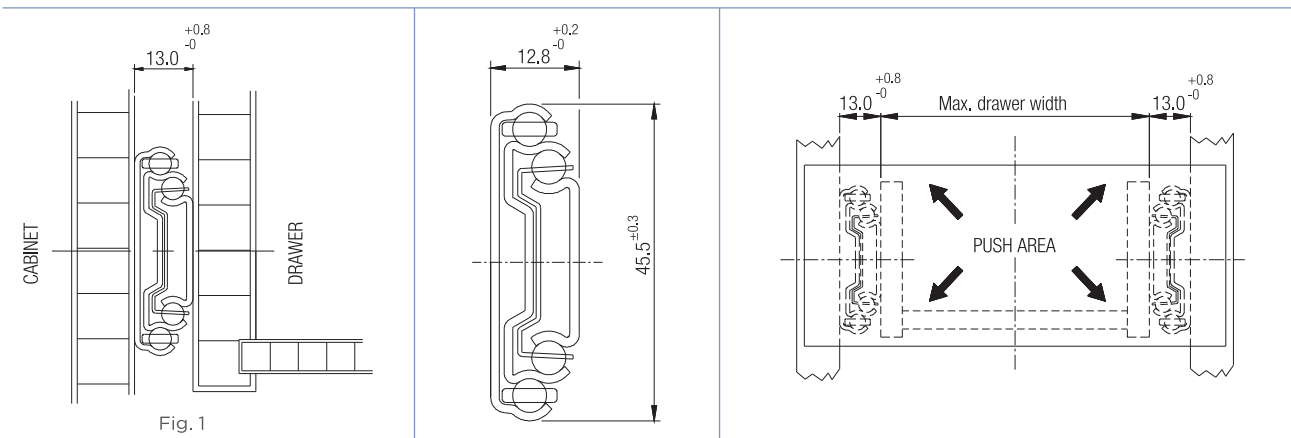


## Specifications

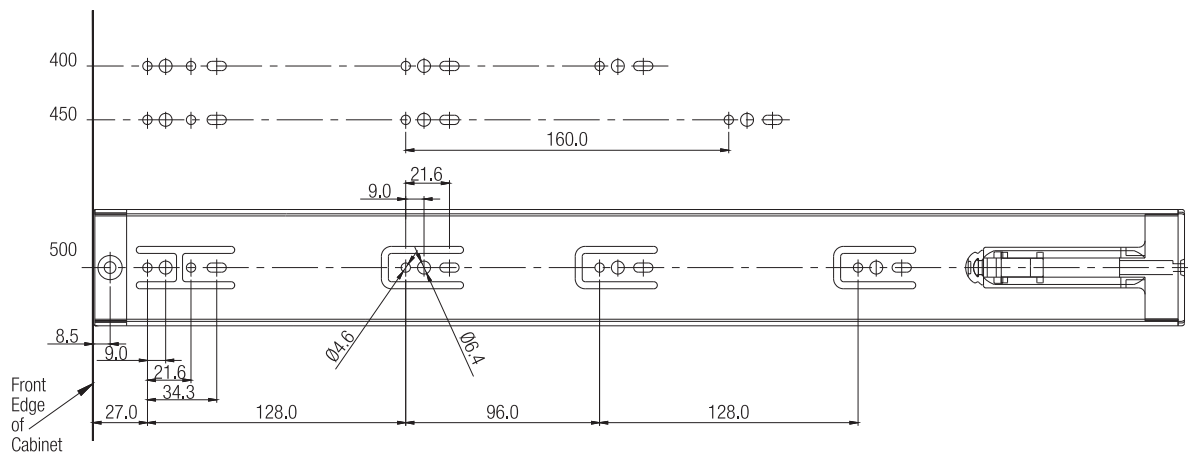
Code Nos.	Size (mm)	Length (mm)	Extension (mm)	Max. Drawer width Suggested	Max. Load (kgs.)	Finish
P-STDS-40-PO	400	400	406	600	40	Zinc Plated White
P-STDS-45-PO	450	450	457	650	45	
P-STDS-50-PO	500	500	508	700	45	

## Fitting Instructions

1. To install Premium Sleek Telescopic Slide-Push Open, 13.0 to 13.8 mm side gap per side is required between cabinet and drawer (Refer Fig. 1).
2. Fit Outer (Fixed) slide on to the inside of the cabinet, access to holes can be got through slots in Intermediate slide.
3. Slides should be fitted parallel and screws tightened fully to avoid gaps.
4. Fit Inner slide on to the outside of the drawer.
5. Now slide the drawer with Inner slide fitted on to the Intermediate slides on the cabinet till the latch engages automatically.

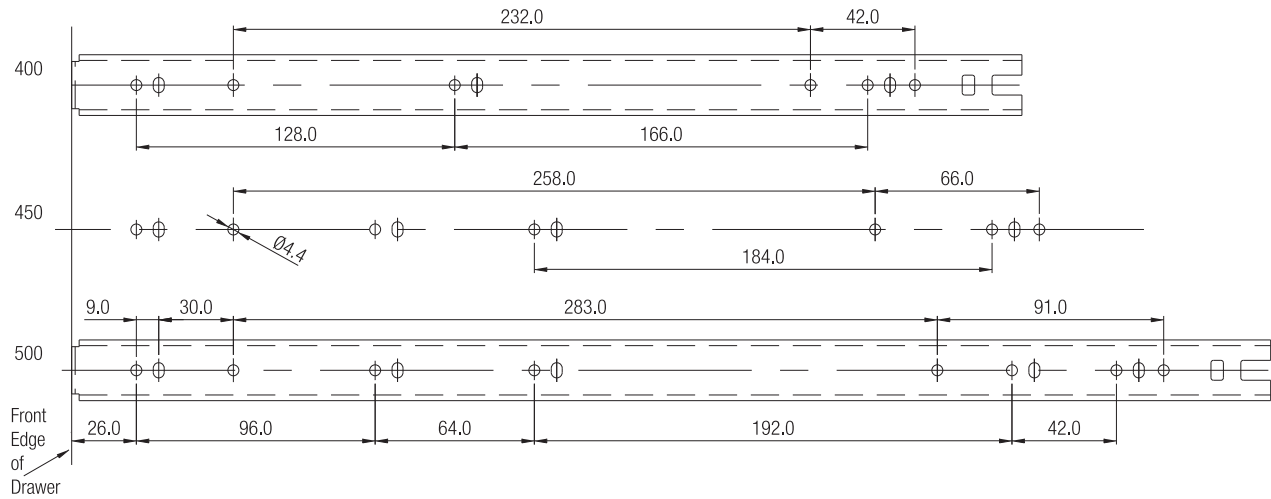


## Drilling Diagram for Cabinet

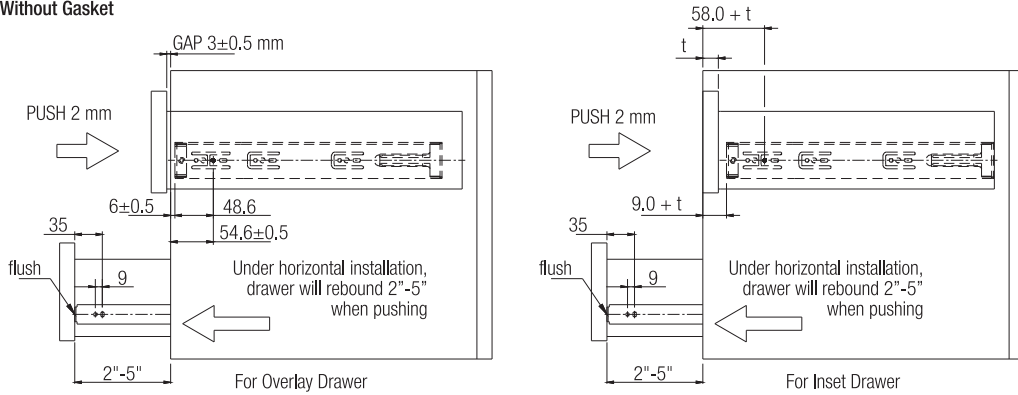




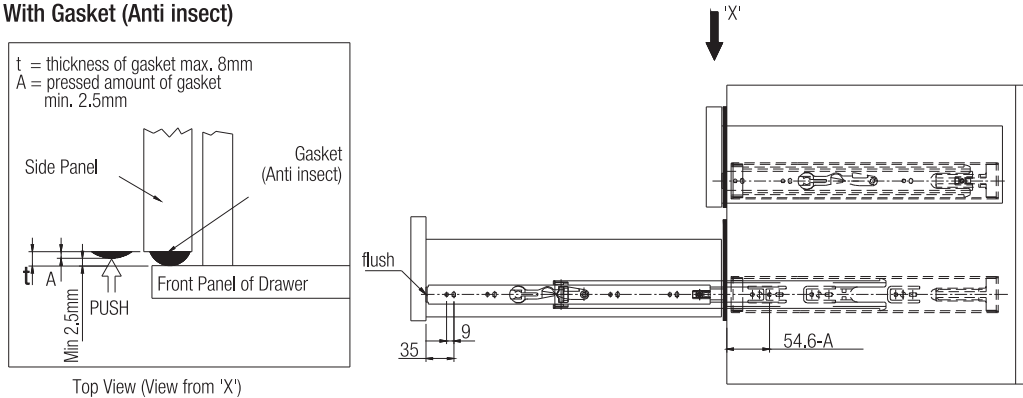
Drilling Diagram for Drawer



**Without Gasket**



**With Gasket (Anti insect)**



**Caution**

For efficiency and durability.

- Strictly maintain 13.0 to 13.8 mm side gap.
- Fit slides parallel and at equal heights.
- Do not apply paint or polish.
- Do not let saw dust enter into the slides.