



Special Features

- Unique built in damping system allows the shutter to close in slow motion without banging.
- Available in Full overlay & Half overlay.
- Max. opening: 105°.
- Max. Shutter size: 34" x 22" (850mm x 550mm) for 2 hinges.
- Shutter Thickness: 16mm to 19mm.
- Shutter cavity: Ø35mm, 12mm deep, cavity 4mm from edge.
- Finish : Electro polished.



Specifications

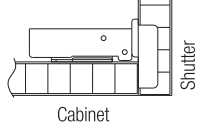
Code Nos.	Model	'A' mm
E-HSM1-SS	Full Overlay	36
E-HSM2-SS	Half Overlay	36

Fitting Instructions

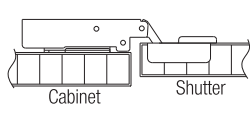
1. Drill out the cavity in the shutter as per the dimensions in Fig. 1. Use 'ebco' Drilling jig. Do not chisel.
2. Fit the cap into the shutter cavity and screw on the hinge at right angle to the edge of the shutter. The hinges must not be hammered.
3. Mark hole in the cabinet for mounting plate as per Fig. 2. and screw on the mounting plate.
4. Now, align the shutter with the cabinet, slip-on and screw the hinge on to the mounting plate. Any play or gap in cabinet can be adjusted in the bracket.
5. By loosening the bracket screws, the shutter can slide horizontally and also be pivoted for varying pressure.

CLOSED CONDITION

FULL OVERLAY



OPEN CONDITION



HALF OVERLAY

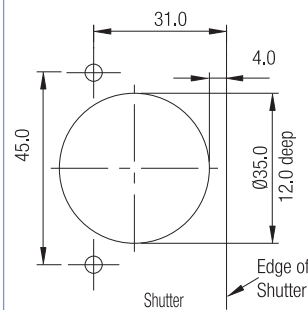
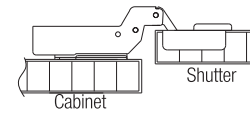
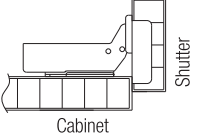


Fig.1

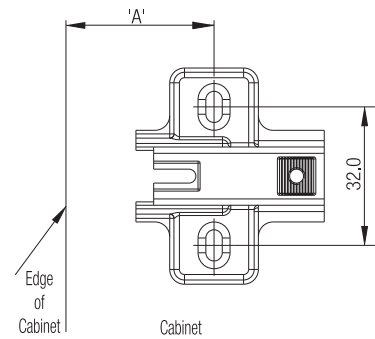
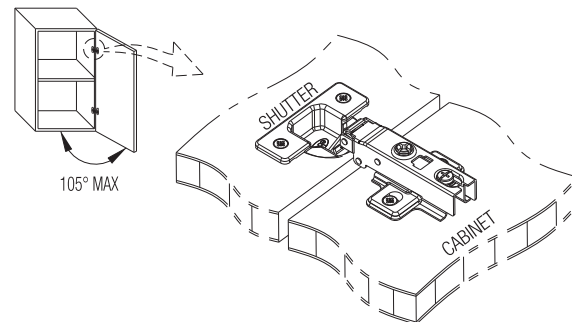


Fig.2



Caution

For efficiency and durability.

- To avoid damage to hinge, do not force the door to exceed 105°.
- Do not apply paint or polish.
- Hinges must be parallel.
- The hinge must not be hammered.