

FOLDING DOOR HINGE



Special Features

- Special hinge for pie-cut corner cabinets with bi-fold doors.
- For shutter thickness variation from 15mm to 23 mm.
- To be used in combination with 'ebco' 180° hinge.
- 3 dimensional adjustment with special adjustment for shutter thickness.
- Finish : Nickel Plated.



Specifications

Code No. | HFD1

Fitting Instructions

1. $\varnothing 35$ mm cavities should have its centres 12.5 mm from the edge (Refer Fig. 1).
2. Fit die cast boss of hinges in $\varnothing 35$ mm cavities made in main door where 180° hinge is fitted.
3. Mounting plates are fitted on folding door and fixing holes are 32 mm apart and 34 mm from the edge (Refer Fig. 2).
4. Adjustment for height, gap, side and depth are available.

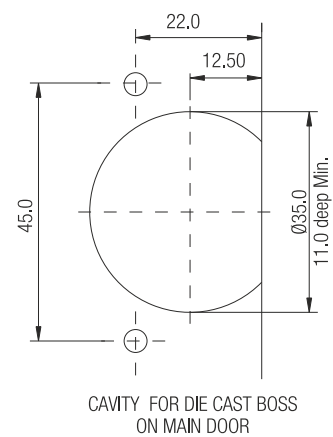
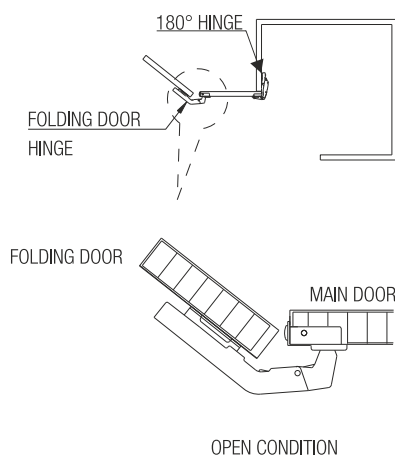


Fig.1

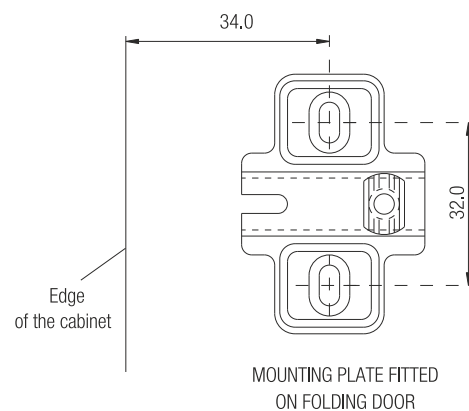
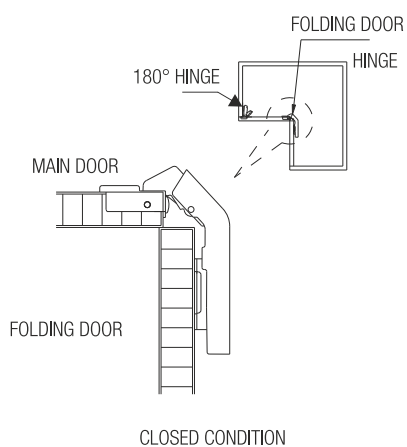


Fig.2

For efficiency and durability.

- Do not apply paint.
- Hinges must be parallel.
- The hinges must not be hammered.