




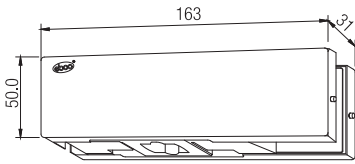
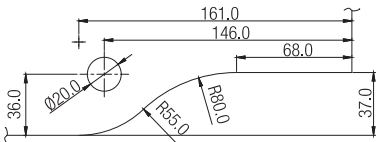

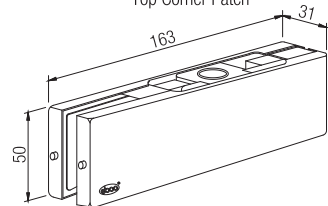
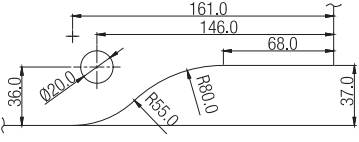

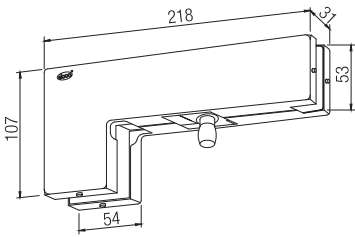
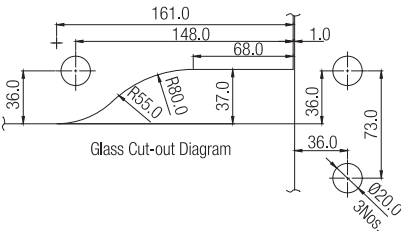
PATCH FITTINGS

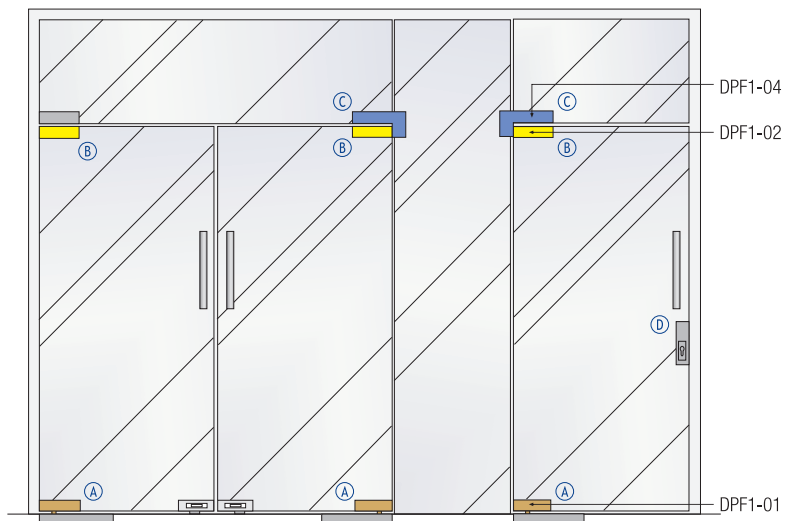


Special Features

- Bottom Corner Patch.
- Top Corner Patch.
- Corner 'L' Patch with Pivot.
- Centre Lock.
- Strike Patch for Centre Lock.
- Single Connector Patch.
- Corner 'L' Patch without Pivot.
- Over Panel Patch with Plate.
- Quad Connector Patch.
- Double Connector Patch



<p>A</p> <p>DPF1-01</p> 	<p>Bottom Corner Patch</p> 	<p>Glass Cut-out Diagram</p>  <p>Glass Cut-out Diagram</p>
<p>B</p> <p>DPF1-02</p> 	<p>Top Corner Patch</p> 	<p>Glass Cut-out Diagram</p>  <p>Glass Cut-out Diagram</p>
<p>C</p> <p>DPF1-04</p> 	<p>Corner 'L' Patch with Pivot</p> 	<p>Glass Cut-out Diagram</p>  <p>Glass Cut-out Diagram</p>



Material Specifications:
Aluminium Alloy and
Stainless Steel



PATCH FITTINGS

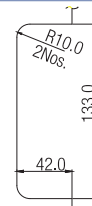
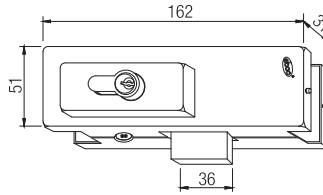


D

DPF2-01



Centre Lock



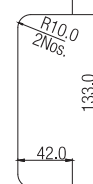
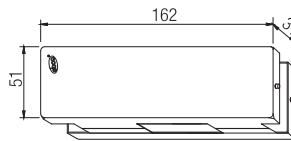
Glass Cut-out Diagram

E

DPF2-02



Strike patch for Centre Lock



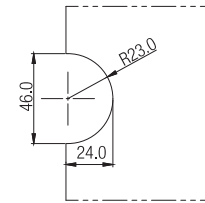
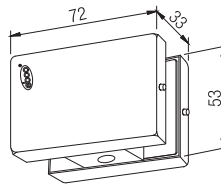
Glass Cut-out Diagram

F

DPF3-01



Single Connector Patch



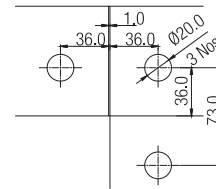
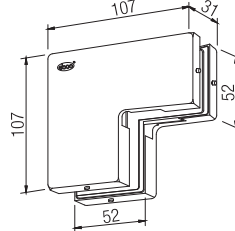
Glass Cut-out Diagram

G

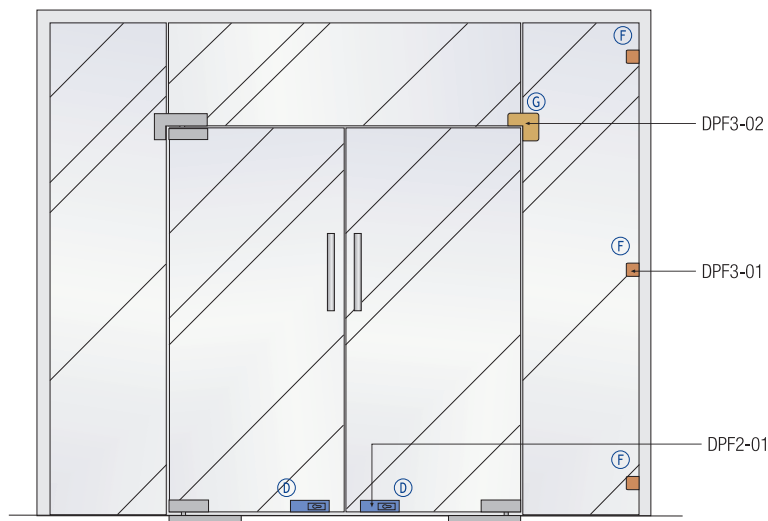
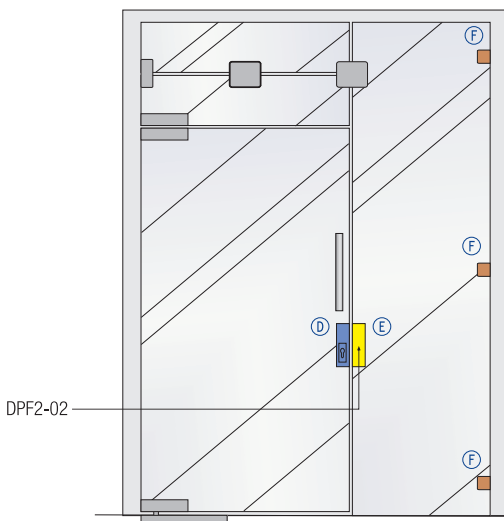
DPF3-02



Corner 'L' Patch without Pivot



Glass Cut-out Diagram





PATCH FITTINGS

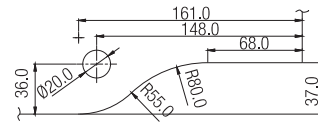
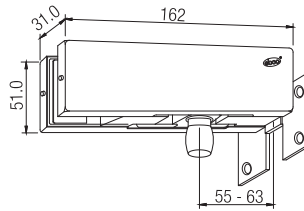


H

DPF1-03



Over Panel Patch with Plate



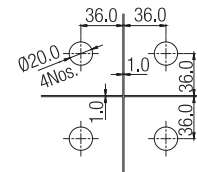
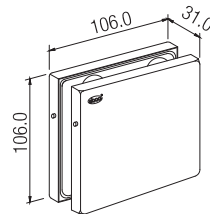
Glass Cut-out Diagram

I

DPF3-03



Quad Connector Patch



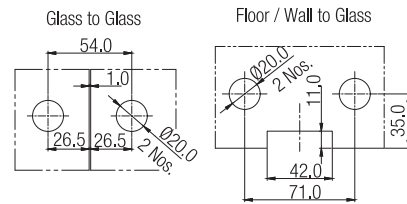
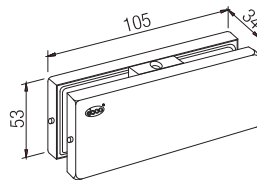
Glass Cut-out Diagram

J

DPF3-04



Double Connector Patch



Glass Cut-out Diagram

