



FLOOR SPRING - 84



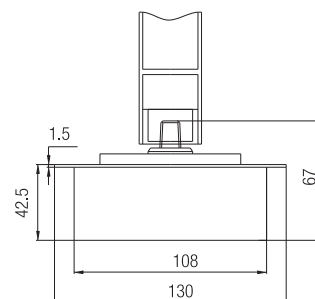
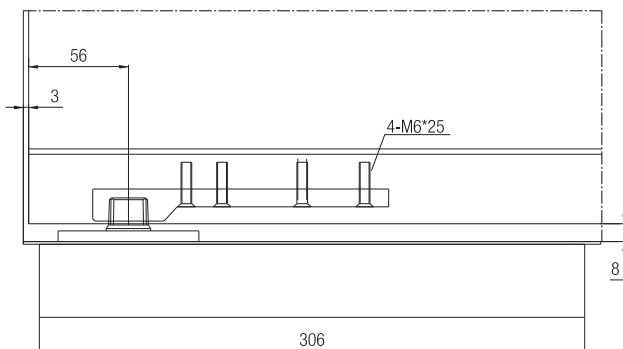
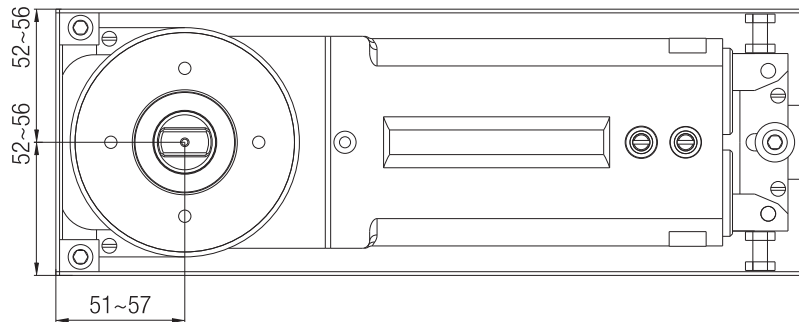
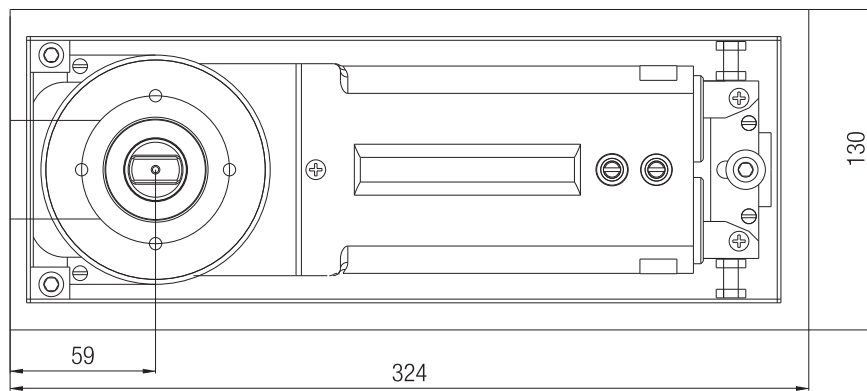
Special Features

- 10,00,000 cycles tested
- Universal application - Load adjustment from 80 kg to 100 kg
- Maximum Door Width - 1000mm
- Max opening angle - 130°
- 90° Hold Open - Open in both directions.



Specifications

Item Code	Max. Door Width (mm)	Max Door Weight (kgs)	Finish
DFS - 84	1000	80 - 100	BS



Backcheck Control
 Back to Closed Position Area

