



FLOOR SPRING - 60



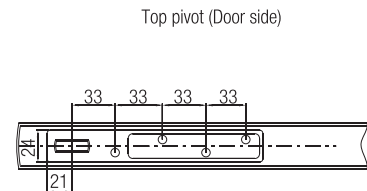
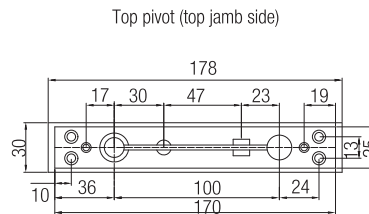
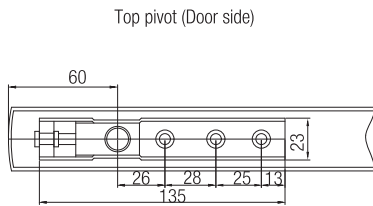
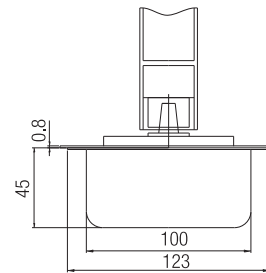
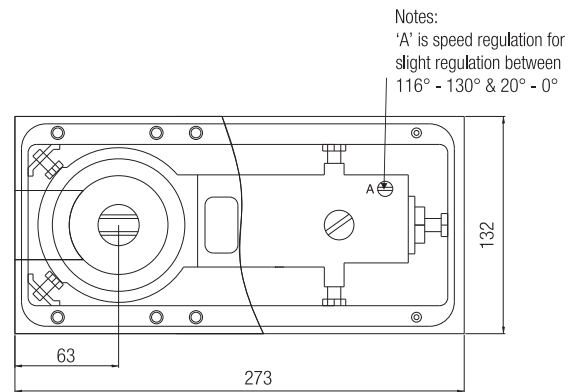
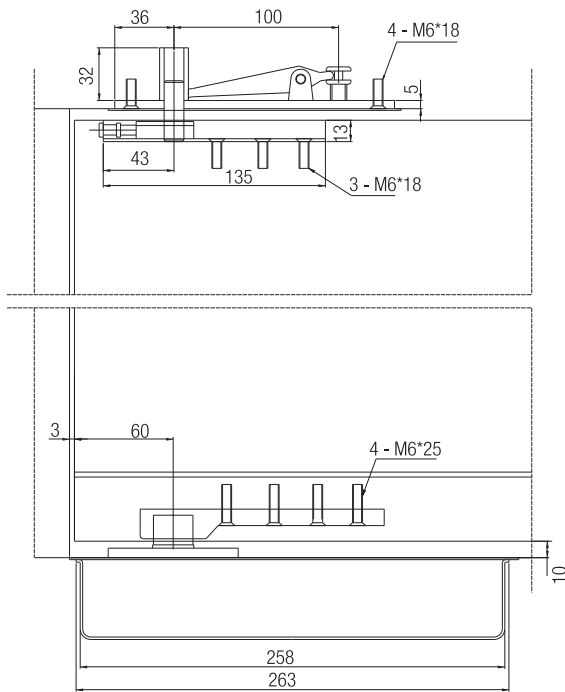
Special Features

- 5,00,000 cycles tested
- Max. open angle 116°
- Hold open angle 90°
- Door width 700mm
- Max. door weight : 60 Kgs.



Specifications

Item Code	Max. Door Width (mm)	Max Door Weight (kgs)	Finish
DFS - 60	700	60	BS



Floor Spring-Door Accessories DFS-A2

