



DOOR CLOSER - DC 101



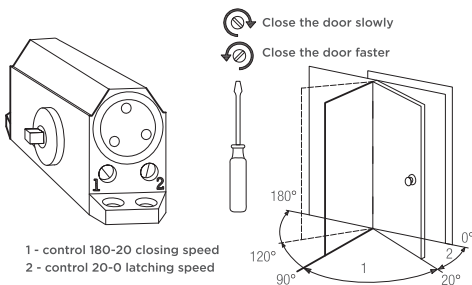
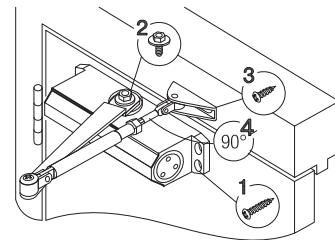
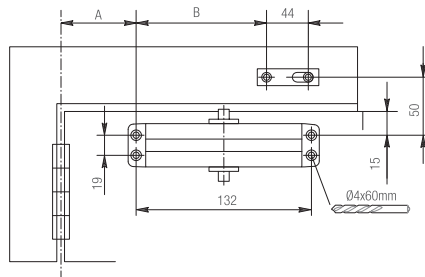
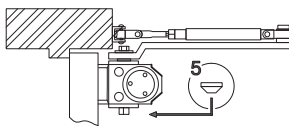
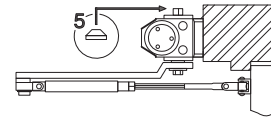
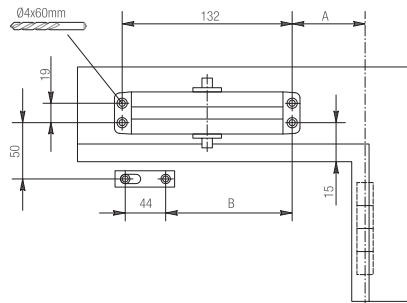
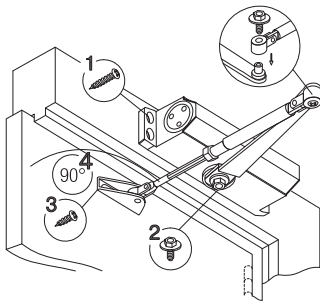
Special Features

- Hold open facility.
- Hold open angle 90° to 160°.
- Latching and closing speed adjust valve.
- Right hand and left hand opening door.
- Door width 600 - 850mm.
- Door weight 65kgs.
- Door opening angle of 180° max.
- 1,00,000 cycles tested.

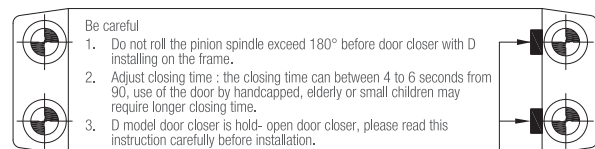


Specifications

Item Code No.	Body Size in mm			Hold Open Facility	Latching and Closing Speed Adjust Valve	Technical Parameter	
	L	W	H			Door Width	Door Weight
DC 101	148	37	57	Yes	Available	600 - 850mm	65kgs



- Warning users:**
1. Do not turn speed regulating valve exceed the maximum turns, avoid oil leakage, it can lead to run instability.
 2. Let the door closer close by itself, please do not add external forces, or it may damage the door closer.
 3. Please read this instruction carefully before installation. we won't be responsible for any results which are caused by the wrong mounting ways.



Speed regulating valves toward hinge.