



Special Features

- Door width (mm) 600-800mm.
- Door weight (kg) upto 45kgs
- Adjustable section of closing speed 180°- 20°
- Adjustable section of latching speed 20° - 0°
- The door closer is suitable for installing in various doors, such as wooden door, metal door, glass door, etc.
- The installation modes of vertical, parallel and slide- rail type all can be chosen at will.
- Continuous adjustment of closing and latching speed the fast speed can be adjusted to within 3 seconds from 90°, slowness close can reach to 60seconds or more.
- 1,00,000 cycles tested.



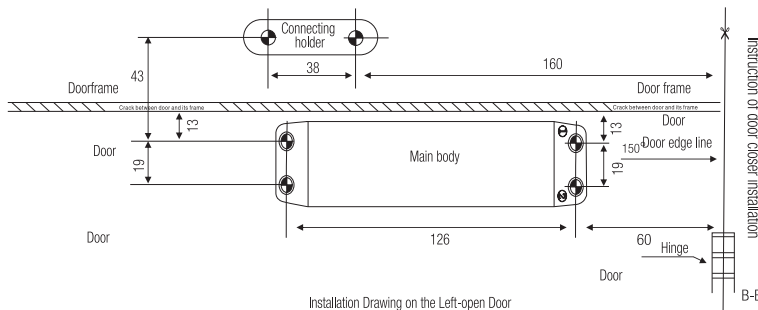
Specifications

| Item Code No. | Body Size in mm | | | Hold Open Facility | Latching and Closing Speed Adjust Valve | Technical Parameter | |
|---------------|-----------------|----|----|--------------------|---|---------------------|-------------|
| | L | W | H | | | Door Width | Door Weight |
| DC 101-B | 148 | 37 | 57 | No | Available | 600 - 800mm | 45kgs |

Fitting Instructions

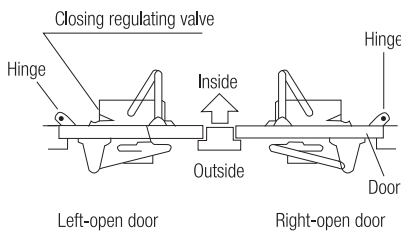
Installation notice of door closer with stop function

1. Not to adjust the gear shaft over 180°, otherwise, door closer will be damaged.
2. If regulate the gear by swinging arm to 180°, the gear will keep stopping and then the gear should return to original position immediately in order not to damage door closer in the next time.
3. The door closer has automatic closing function, so better not to pull door by hand.



How to decide the opening direction

The door closer is suitable for left-open door and right-open door installation. Please follow the below instruction to decide the open direction before installation.

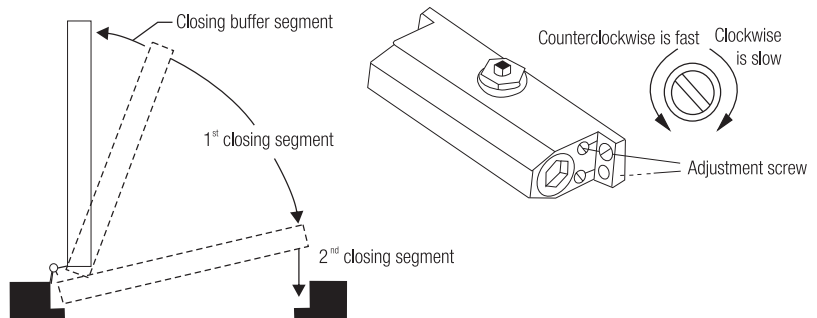


Adjustment of closing speed

The 1st adjustment screw controls the 1st segment closing speed

The 2nd adjustment screw controls the 2nd segment closing speed

The adjustment way is clockwise for slow, and counterclockwise for fast.



Notice

Not to turn out the adjustment screw from body surface, otherwise, it will be oil leakage and can not work anymore.



Fitting Instructions

Installation process

1. Take off the above drawing according to the size on the above drawing, take off and paste it on the door with the adhesive plaster, mark 4 holes on the door and 2 holes on the connecting holder of door frame and then drill holes of $\varnothing 5.0\text{mm}$.
2. Install the main body according to the position of holes on the door, to install the main body and fixed by 4 screws.
3. Fix the connecting base according to the position of holes on the door frame, to install the connecting

holder and fixed by 2 screws.

4. Install the supporting plate on the door and fixed by screws.
5. Combine the supporting plate and adjustment link regulate the adjustment link to make it perpendicular to the door and fix the adjustment link and supporting plate by screws.
6. Complete the installation put on the gear can to finish this installation.

