



[Home](#) » [Door Opener Bracket](#)

## Door Opener Bracket



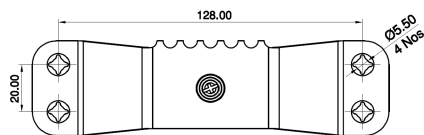
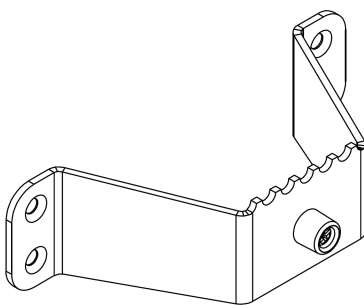
- Prevents contamination and spread of germs/viruses.
- Eliminate the use of hand to open the door.
- Ideal for offices, hospitals, retail outlets, etc.
- Wall bumper to protect the wall from damage.
- Curved tooth design ensures better grip.
- Made of rust-free SS 304
- Finish: SS 304

### Specifications

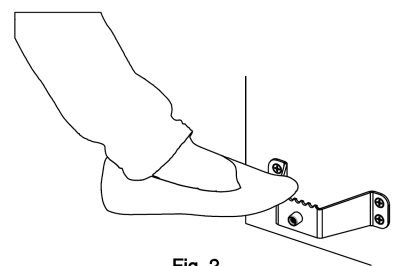
Item	Item Code	Size (mm)	Finish
Door Opener Bracket	DOB1	150 x 40 x 70	SS 304

### Fitting Instructions

1. Fit the Door Opener Bracket onto the bottom of the latch-less door using screws provided as shown in Fig.1.
2. Open the door with the help of legs by pushing or pulling the bracket. Ref Fig.2



**Fig. 1 Drilling Diagram**



**Fig. 2**

