



### Special Features

- An unique lock for sliding windows.
- Easy locking and unlocking by simple half rotating, clock-wise or anti clock-wise.
- Eliminates the need for handles.
- Available for both right and left hand locking.



### Specifications

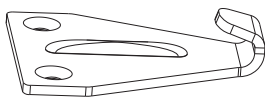
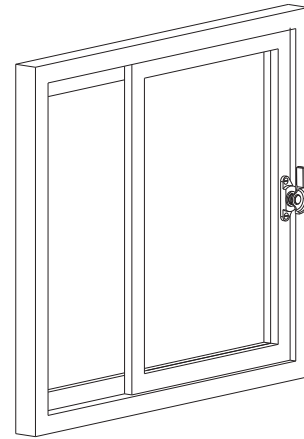
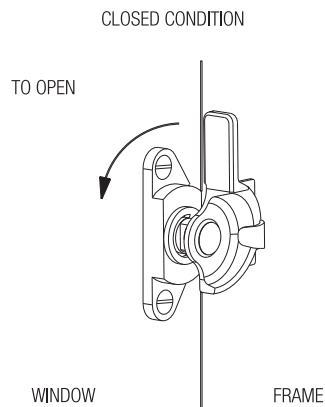
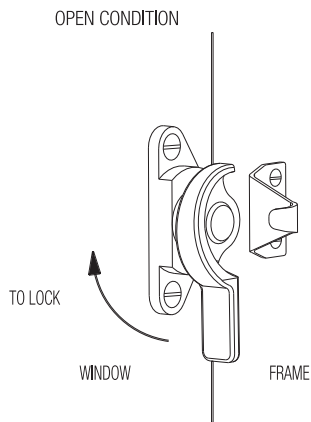
Code Nos.	Clasp Application	Available movements	Finish
CRL1* #	S-clasp with M4 threading for central locking.	Left hand and Right hand	CP
CRL 2* #	Z-clasp for Front Shutter with frame.		BR/WW/ SL/BL
	Flat Clasp for Rear Shutter With Frame.		

\* Add L or R for Left or Right Hand.

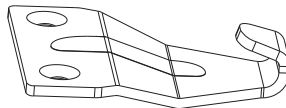
# Add S for S-clasp, Z for Z-clasp, and F for Flat clasp.

### Fitting Instructions

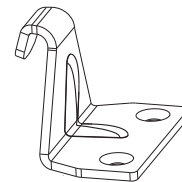
1. Crescent Latch is used for sliding windows.
2. Clasp to be fitted on frame and crescent lever on window.
3. Locks and unlocks by rotating crescent lever.



Flat Clasp for Internal Fittings



S Clasp with M4 Tapping for Central Locking



Z Clasp for External Fittings